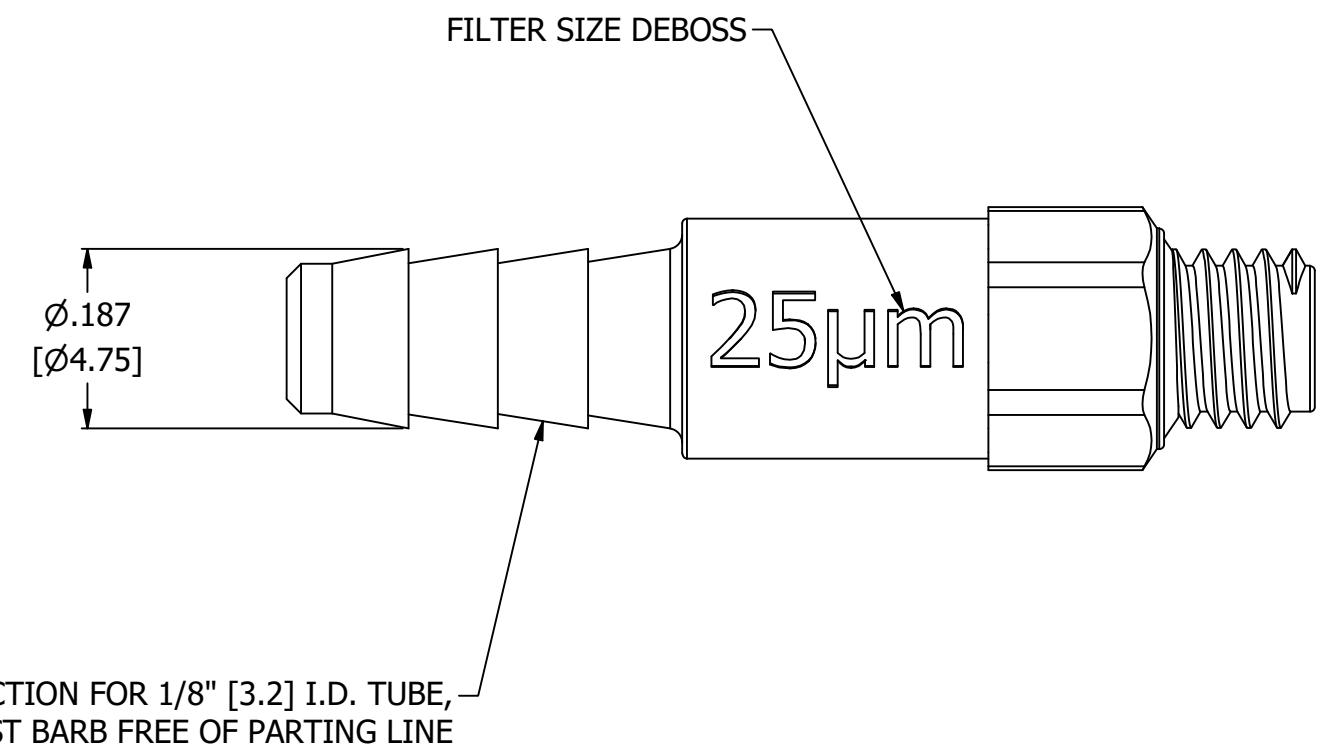
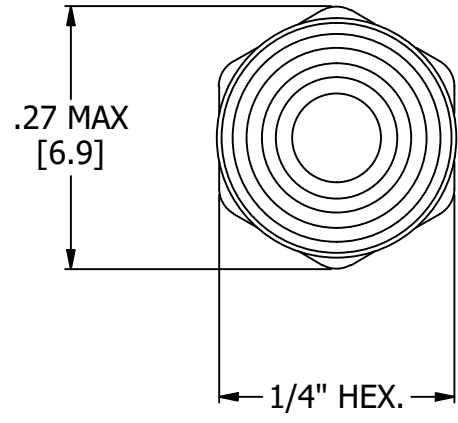
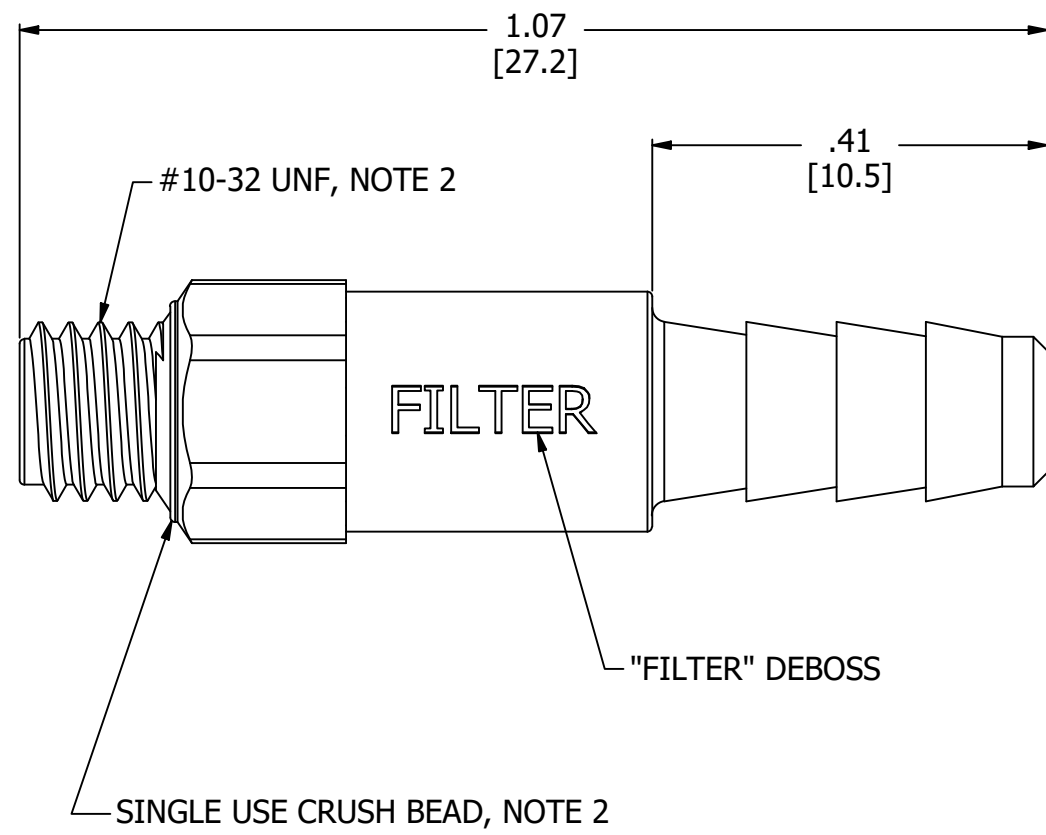
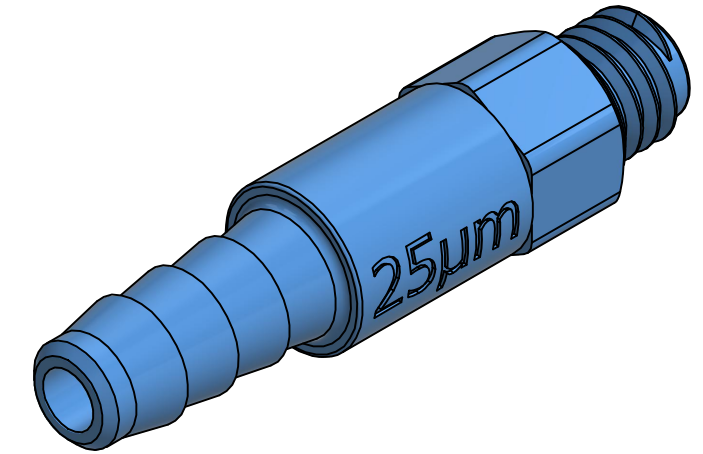



- NOTES:  
 1. ALL DIMENSIONS FOR REFERENCE ONLY  
 2. REFER TO AIR LOGIC'S #10-32 INTERFACE & SEAL GUIDE  
 3. REFER TO AIR LOGIC'S POLYSULFONE APPLICATIONS GUIDE  
 4. TUBE RETENTION PRESSURE SUBJECT TO TUBING DIMENSION AND STIFFNESS



PRODUCT SPECIFICATIONS	
COLOR(S)	LIGHT BLUE
FILTER AREA	0.027 in <sup>2</sup> , [17.719 mm <sup>2</sup> ]
FILTER SIZE	25 MICRON
MEDIA	GASES, LIQUIDS, NOTE 3
MAX INLET PRESSURE	125 PSI, [8.6 BAR]
TYPICAL TUBE RETENTION PRESSURE	125 PSI, [8.6 BAR], NOTE 4
MINIMUM INNER DIAMETER	Ø.09, [Ø2.3]
WETTED MATERIALS	POLYSULFONE, STAINLESS STEEL

 <b>AIR-LOGIC</b> @ DIVISION OF KNAPP MFG, INC. 5102 DOUGLAS AVE RACINE, WI 53402 PHONE: (262) 639-9035 FAX: (262) 639-5996 WEB: AIR-LOGIC.COM	
<b>PART/DRAWING NO.:</b> <b>F96025B85</b>	
<b>DESCRIPTION:</b> THREADED FILTER, 25 MICRON, #10-32 X 1/8" BARB	
REVISION: A SCALE: 5 : 1	DRAWN: 2/24/2021 SHEET SIZE: B

**TERMS OF USE:**  
 THIS DRAWING IS FOR INFORMATIONAL PURPOSES ONLY. AIR LOGIC MAKES NO REPRESENTATIONS OF WARRANTIES CONCERNING SUITABILITY FOR ANY PARTICULAR PURPOSE. ALL PRODUCTS SUPPLIED ARE SUBJECT TO TERMS AND CONDITIONS FOUND AT AIR-LOGIC.COM

DRAWING TAKES PRECEDENCE OVER 3D MODEL GEOMETRY

TOLERANCE: DECIMALS .00 ± .01, .000 ± .005, FRACTIONS ± 1/64  
 ANGLES 1/4° UNLESS OTHERWISE SPECIFIED  
 UNITS: INCHES [MILLIMETERS]