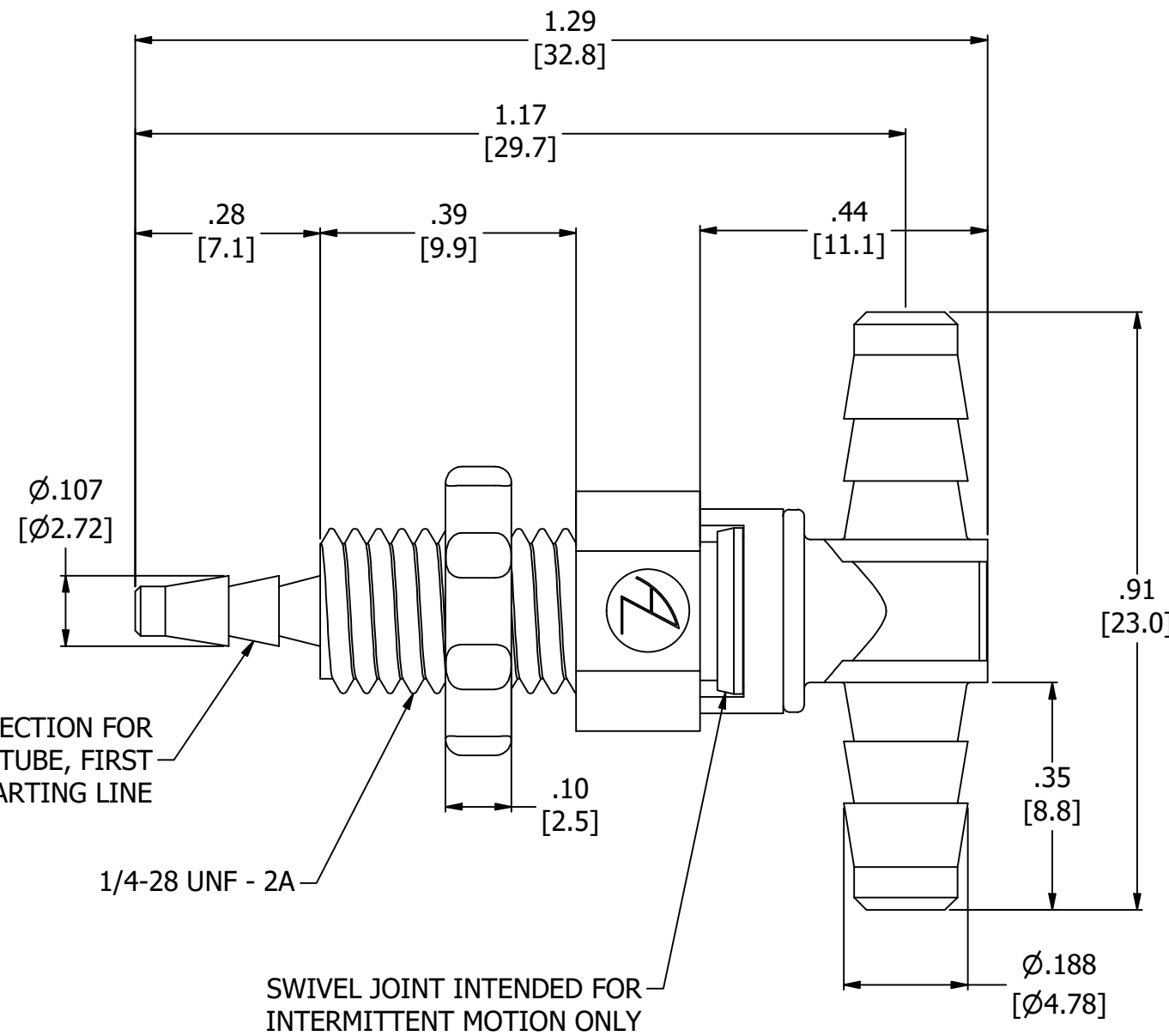
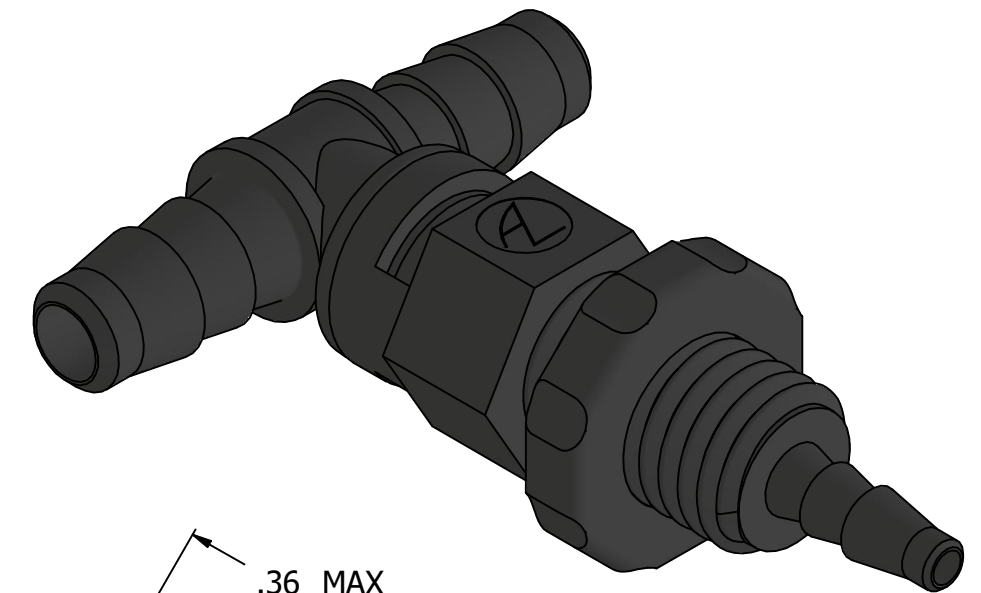
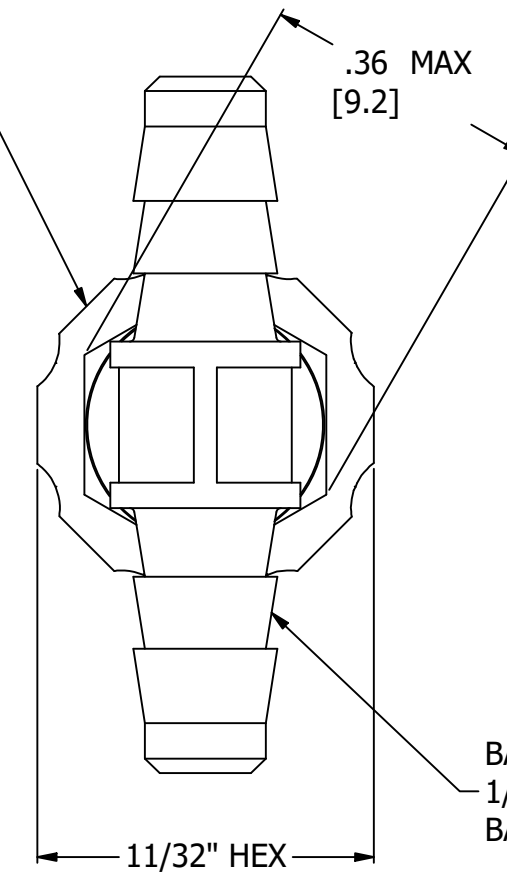


NOTES:

1. ALL DIMENSIONS FOR REFERENCE ONLY
2. TUBE RETENTION PRESSURE SUBJECT TO TUBING DIMENSION AND STIFFNESS
3. PANEL NUT UNASSEMBLED AS DELIVERED



SUPPLIED PANEL NUT,
FINGER TIGHT ONLY,
NOTE 3



VIEW2
SCALE 4 : 1

BARBED CONNECTIONS FOR
1/8" [3.2] I.D. TUBE, FIRST
BARB FREE OF PARTING LINE

BARBED CONNECTION FOR
1/16" [1.6] I.D. TUBE, FIRST
BARB FREE OF PARTING LINE

1/4-28 UNF - 2A

SWIVEL JOINT INTENDED FOR
INTERMITTENT MOTION ONLY

PRODUCT SPECIFICATIONS

COLOR	BLACK
MEDIA	GASES, LIQUIDS
MAX INLET PRESSURE	125 PSI, [8.6 BAR]
TYPICAL TUBE RETENTION PRESSURE	125 PSI, [8.6 BAR], NOTE 2
PANEL CLEARANCE HOLE	9/32"
MINIMUM INNER DIAMETER	Ø.050 [Ø1.27]
WETTED MATERIALS	NYLON, BUNA-N



AIR-LOGIC @ DIVISION OF KNAPP MFG, INC.
5102 DOUGLAS AVE RACINE, WI 53402
PHONE: (262) 639-9035 FAX: (262) 639-5996 WEB: AIR-LOGIC.COM

PART/DRAWING NO.:

F350585

DESCRIPTION:
1/16" BARBED BULKHEAD X 1/8" SWIVEL TEE

REVISION: A DRAWN: 3/4/2026
SCALE: 4 : 1 SHEET SIZE: B

TERMS OF USE:
THIS DRAWING IS FOR INFORMATIONAL PURPOSES ONLY. AIR LOGIC MAKES NO REPRESENTATIONS OF WARRANTIES CONCERNING SUITABILITY FOR ANY PARTICULAR PURPOSE. ALL PRODUCTS SUPPLIED ARE SUBJECT TO TERMS AND CONDITIONS FOUND AT AIR-LOGIC.COM

DRAWING TAKES PRECEDENCE OVER 3D MODEL GEOMETRY
TOLERANCE: DECIMALS .00 ± .01, .000 ± .005, FRACTIONS ± 1/64
ANGLES 1/4° UNLESS OTHERWISE SPECIFIED
UNITS: INCHES [MILLIMETERS]