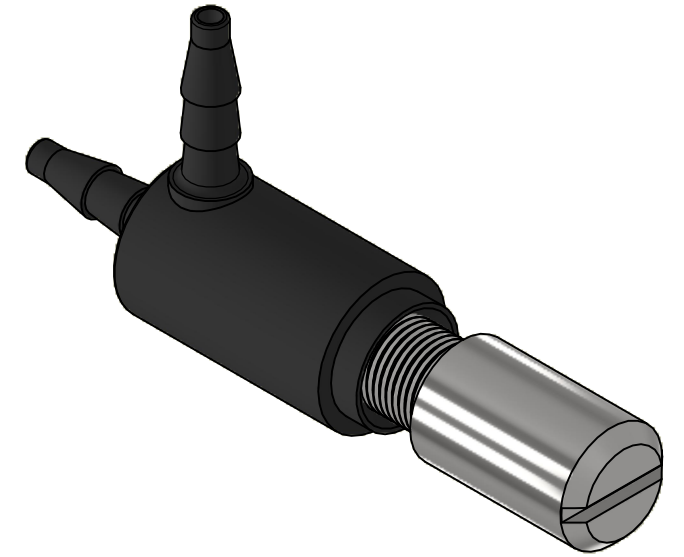
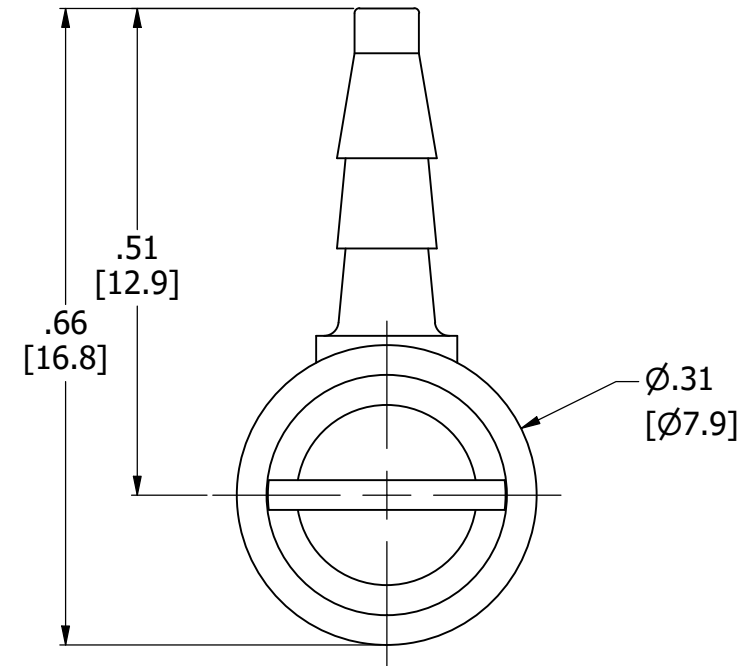
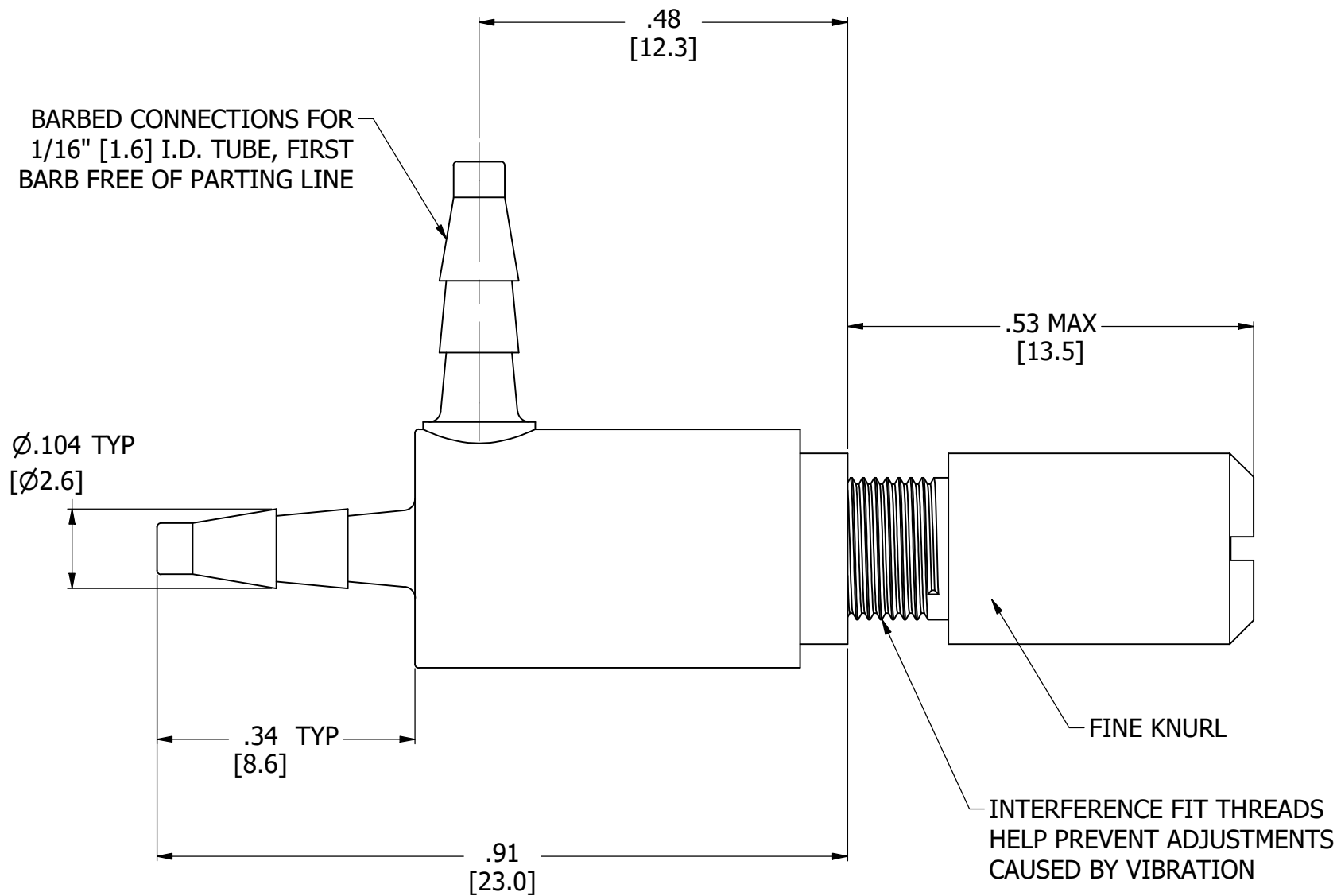


NOTES:

1. ALL DIMENSIONS FOR REFERENCE ONLY
2. TUBE RETENTION PRESSURE SUBJECT TO TUBING DIMENSION AND STIFFNESS



PRODUCT SPECIFICATIONS

| | |
|---------------------------------|--------------------------------|
| COLOR(S) | BLACK, STAINLESS STEEL |
| ADJUSTMENT METHODS | FINGER/SCREWDRIVER ADJUSTED |
| THREAD PITCH | 64 TPI. |
| FLOW COEFFICIENT (Cv) | 0.0000133 - .0195 |
| MEDIA | GASES, LIQUIDS |
| MAX INLET PRESSURE | 125 PSI [8.6 BAR] |
| TYPICAL TUBE RETENTION PRESSURE | 125 PSI [8.6 BAR], NOTE 2 |
| MOUNTING STYLE | INLINE |
| WETTED MATERIALS | NYLON, STAINLESS STEEL, BUNA-N |
| RECOMMENDED SYSTEM FILTRATION | 5 MICRON |



AIR-LOGIC @ DIVISION OF KNAPP MFG, INC.
 5102 DOUGLAS AVE RACINE, WI 53402
 PHONE: (262) 639-9035 FAX: (262) 639-5996 WEB: AIR-LOGIC.COM

PART/DRAWING NO.:

F282240B80KSSWS

DESCRIPTION:
 PLASTIC NEEDLE VALVE, #10-64, 1/16 INCH BARBS, BUNA O-RING, KNOB W/ SLOT

REVISION: A

DRAWN: 7/1/2022

SCALE: 5 : 1

SHEET SIZE: B

TERMS OF USE:

THIS DRAWING IS FOR INFORMATIONAL PURPOSES ONLY. AIR LOGIC MAKES NO REPRESENTATIONS OF WARRANTIES CONCERNING SUITABILITY FOR ANY PARTICULAR PURPOSE. ALL PRODUCTS SUPPLIED ARE SUBJECT TO TERMS AND CONDITIONS FOUND AT AIR-LOGIC.COM

DRAWING TAKES PRECEDENCE OVER 3D MODEL GEOMETRY

TOLERANCE: DECIMALS .00 ± .01, .000 ± .005, FRACTIONS ± 1/64
 ANGLES 1/4° UNLESS OTHERWISE SPECIFIED
 UNITS: INCHES [MILLIMETERS]