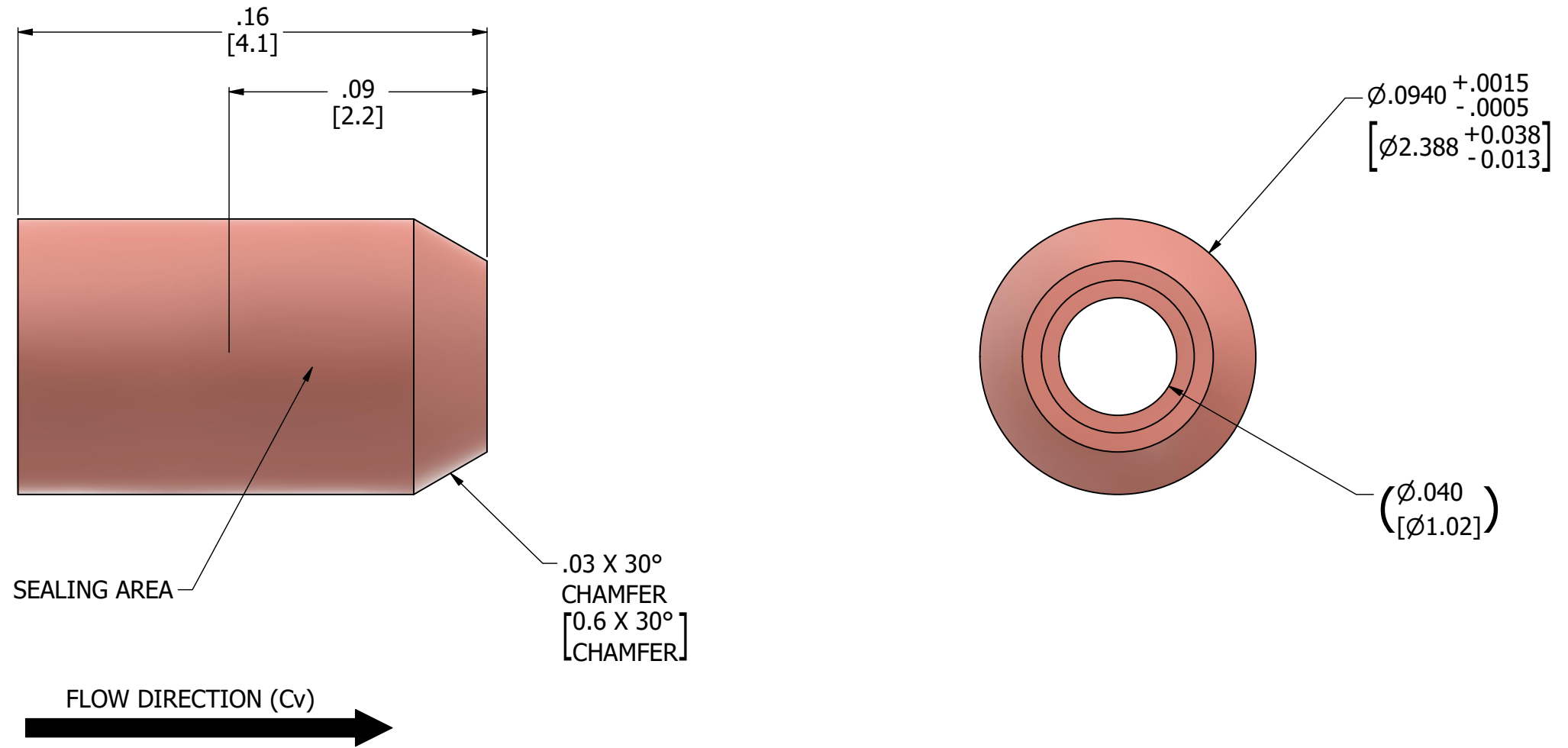


NOTES:

1. ALL DIMENSIONS FOR REFERENCE ONLY
2. REFER TO AIR-LOGIC'S POLYSULFONE APPLICATION GUIDE
3. REFER TO AIR-LOGIC'S RESTRICTOR INSERT APPLICATION GUIDE
4. FREE OF GATE VESTIGE



PRODUCT SPECIFICATIONS

COLOR(S)	RUST
MEDIA	GASES, LIQUIDS, NOTE 2
MAX INLET PRESSURE	125PSI [8.6 BAR]
FLOW COEFFICIENT (Cv)	0.0392
NOMINAL ORIFICE DIAMETER	$\varnothing 0.040$ [$\varnothing 1.02$]
WETTED MATERIALS	POLYSULFONE
RECOMMENDED SYSTEM FILTRATION	73 MICRON



AIR-LOGIC @ DIVISION OF KNAPP MFG, INC.
 5102 DOUGLAS AVE RACINE, WI 53402
 PHONE: (262) 639-9035 FAX: (262) 639-5996 WEB: AIR-LOGIC.COM

PART/DRAWING NO.:

F2815401I

DESCRIPTION:
 $\varnothing 0.040$ " ORIFICE INSERT

REVISION: A	DRAWN: 2/11/2022
SCALE: 20 : 1	SHEET SIZE: B

TERMS OF USE:
 THIS DRAWING IS FOR INFORMATIONAL PURPOSES ONLY. AIR LOGIC MAKES NO REPRESENTATIONS OF WARRANTIES CONCERNING SUITABILITY FOR ANY PARTICULAR PURPOSE. ALL PRODUCTS SUPPLIED ARE SUBJECT TO TERMS AND CONDITIONS FOUND AT AIR-LOGIC.COM

DRAWING TAKES PRECEDENCE OVER 3D MODEL GEOMETRY
 TOLERANCE: DECIMALS .00 ± .01, .000 ± .005, FRACTIONS ± 1/64
 ANGLES 1/4° UNLESS OTHERWISE SPECIFIED
 UNITS: INCHES [MILLIMETERS]