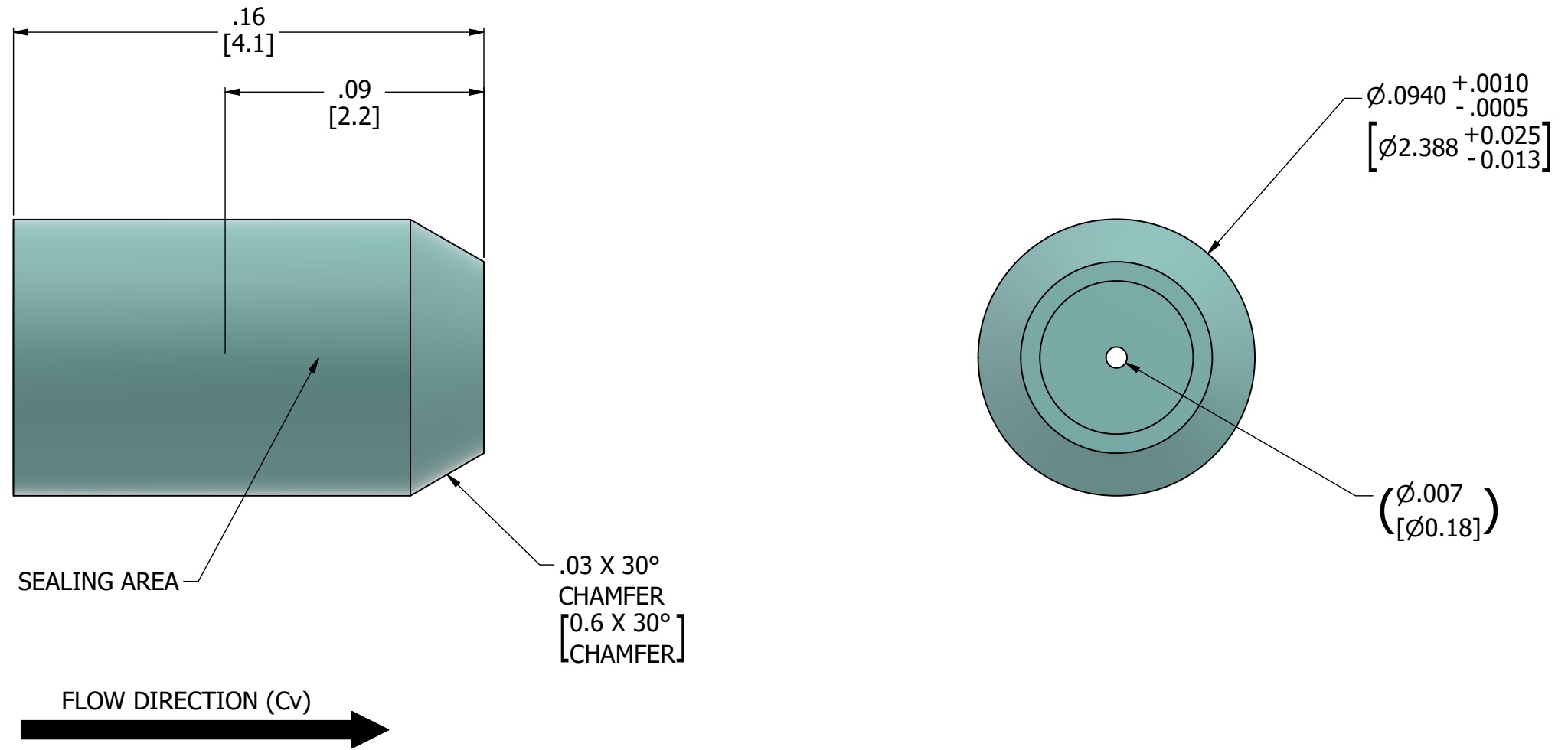



- NOTES:
1. ALL DIMENSIONS FOR REFERENCE ONLY
 2. REFER TO AIR-LOGIC'S POLYSULFONE APPLICATION GUIDE
 3. REFER TO AIR-LOGIC'S RESTRICTOR INSERT APPLICATION GUIDE
 4. FREE OF GATE VESTIGE



PRODUCT SPECIFICATIONS	
COLOR(S)	AQUA
MEDIA	GASES, LIQUIDS, NOTE 2
MAX INLET PRESSURE	125PSI [8.6 BAR]
FLOW COEFFICIENT (Cv)	0.00143
NOMINAL ORIFICE DIAMETER	Ø.007 [Ø0.18]
WETTED MATERIALS	POLYSULFONE
RECOMMENDED SYSTEM FILTRATION	5 MICRON

 AIR-LOGIC <small>® DIVISION OF KNAPP MFG, INC.</small> <small>5102 DOUGLAS AVE RACINE, WI 53402 PHONE: (262) 639-9035 FAX: (262) 639-5996 WEB: AIR-LOGIC.COM</small>		TERMS OF USE: THIS DRAWING IS FOR INFORMATIONAL PURPOSES ONLY. AIR LOGIC MAKES NO REPRESENTATIONS OF WARRANTIES CONCERNING SUITABILITY FOR ANY PARTICULAR PURPOSE. ALL PRODUCTS SUPPLIED ARE SUBJECT TO TERMS AND CONDITIONS FOUND AT AIR-LOGIC.COM
PART/DRAWING NO.: F2815071I		
DESCRIPTION: Ø.007" ORIFICE INSERT		DRAWING TAKES PRECEDENCE OVER 3D MODEL GEOMETRY TOLERANCE: DECIMALS .00 ± .01, .000 ± .005, FRACTIONS ± 1/64 ANGLES 1/4° UNLESS OTHERWISE SPECIFIED UNITS: INCHES [MILLIMETERS]
REVISION: A	DRAWN: 2/11/2022	
SCALE: 20 : 1	SHEET SIZE: B	