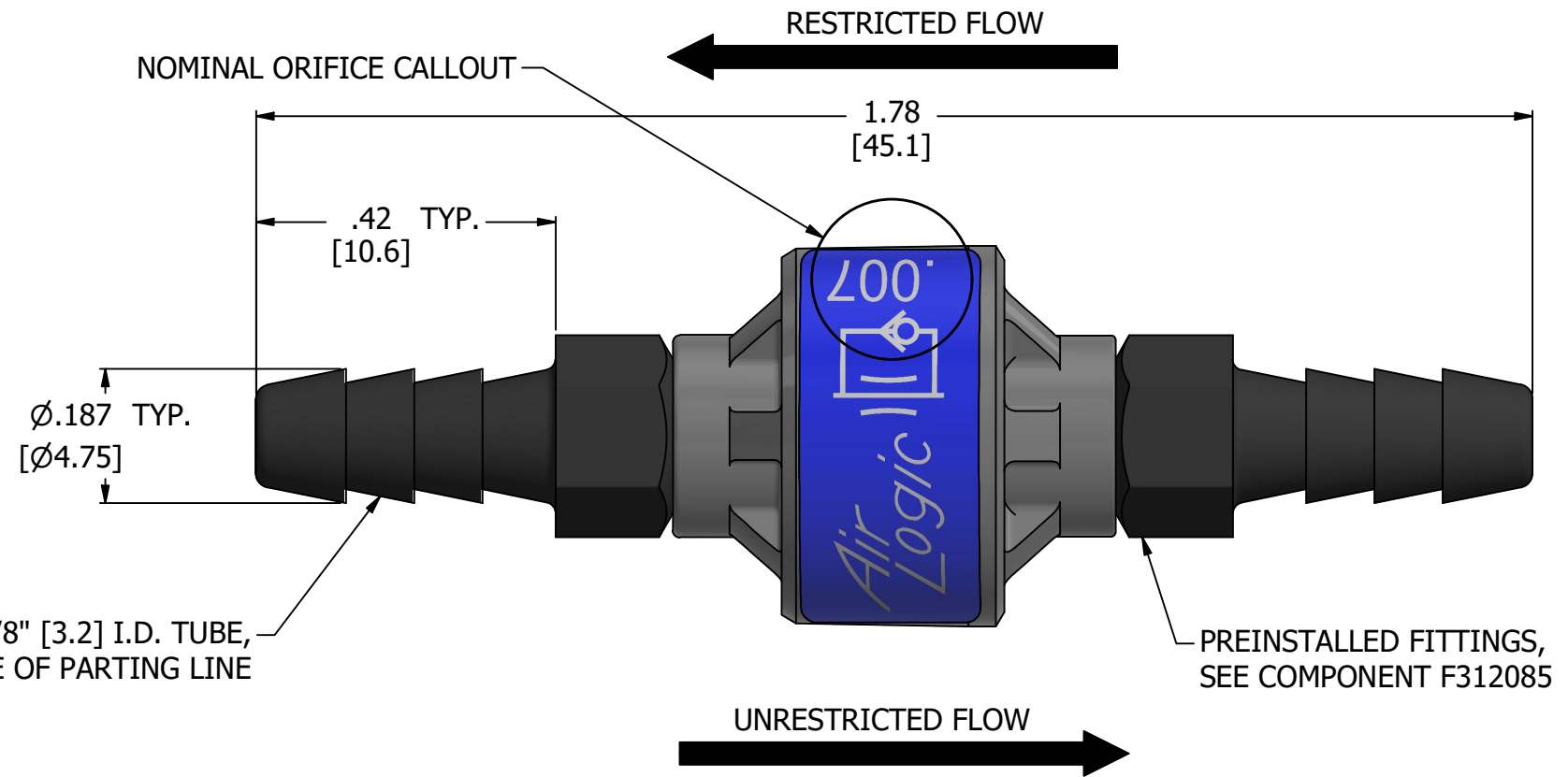
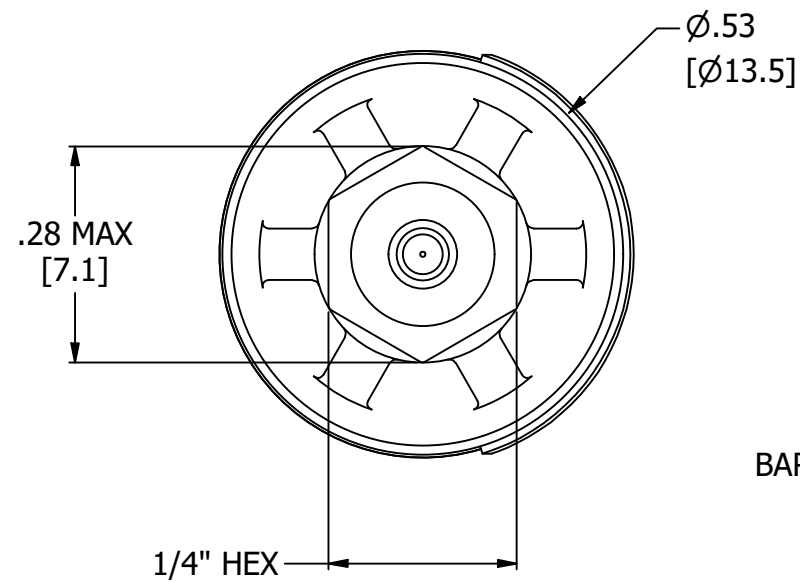
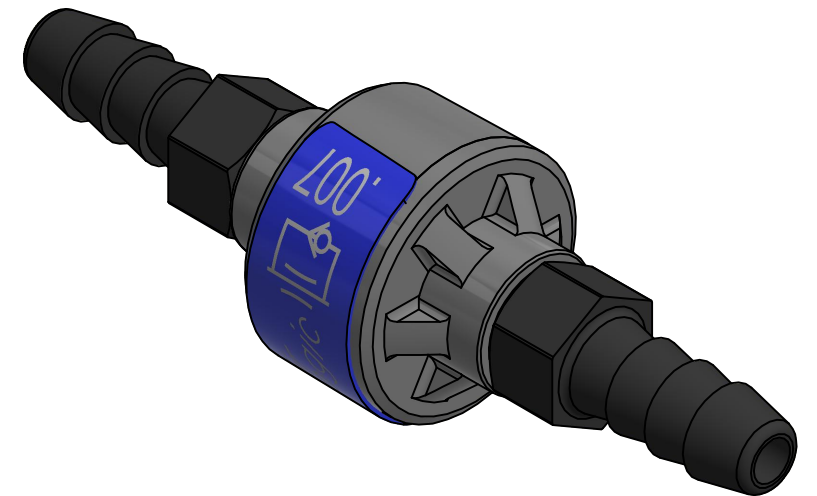


NOTES:

1. ALL DIMENSIONS FOR REFERENCE ONLY
2. REFER TO AIR LOGIC'S POLYSULFONE APPLICATION GUIDE
3. TUBE RETENTION PRESSURE SUBJECT TO TUBING DIMENSION AND STIFFNESS
4. GASES MUST BE CLEAN AND DRY



BARBED CONNECTIONS FOR 1/8" [3.2] I.D. TUBE, FIRST BARB FREE OF PARTING LINE

PREINSTALLED FITTINGS, SEE COMPONENT F312085

PRODUCT SPECIFICATIONS	
COLOR	GRAY, BLUE, AQUA, BLACK
MEDIA	GASES, NOTE 2, NOTE 4
MAX INLET PRESSURE	75 PSI, [5.2 BAR]
TYPICAL TUBE RETENTION PRESSURE	125 PSI, [8.6 BAR], NOTE 3
NOMINAL ORIFICE SIZE	Ø.007 [Ø0.18]
WETTED MATERIALS	POLYSULFONE, SILICONE, NYLON
RECOMMENDED SYSTEM FILTRATION	5 MICRON

AIR-LOGIC <small>® DIVISION OF KNAPP MFG, INC.</small> <small>5102 DOUGLAS AVE RACINE, WI 53402 PHONE: (262) 639-9035 FAX: (262) 639-5996 WEB: AIR-LOGIC.COM</small>	
PART/DRAWING NO.: F2804404071B85	
DESCRIPTION: DIRECTIONAL FLOW CONTROL, Ø.007, 1/8" BARB	
REVISION: A SCALE: 4 : 1	DRAWN: 2/17/2021 SHEET SIZE: B

TERMS OF USE: THIS DRAWING IS FOR INFORMATIONAL PURPOSES ONLY. AIR LOGIC MAKES NO REPRESENTATIONS OF WARRANTIES CONCERNING SUITABILITY FOR ANY PARTICULAR PURPOSE. ALL PRODUCTS SUPPLIED ARE SUBJECT TO TERMS AND CONDITIONS FOUND AT AIR-LOGIC.COM
DRAWING TAKES PRECEDENCE OVER 3D MODEL GEOMETRY TOLERANCE: DECIMALS .00 ± .01, .000 ± .005, FRACTIONS ± 1/64 ANGLES 1/4° UNLESS OTHERWISE SPECIFIED UNITS: INCHES [MILLIMETERS]